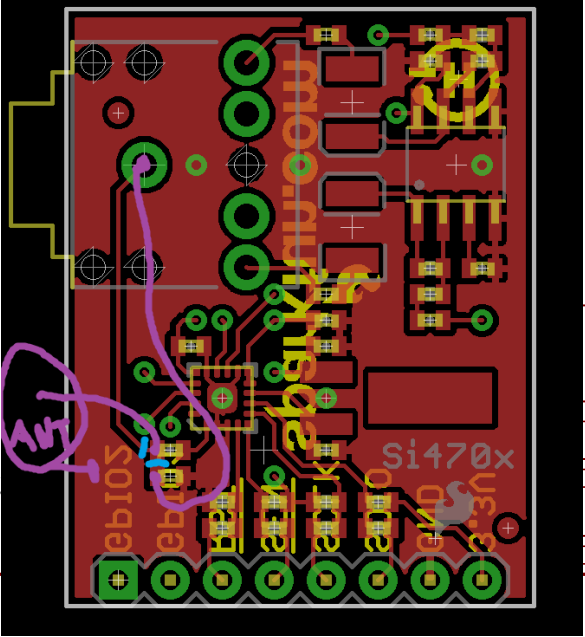
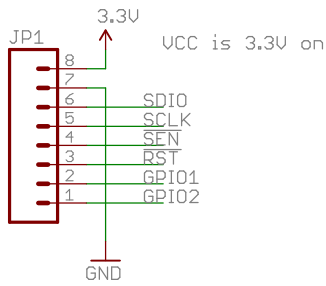
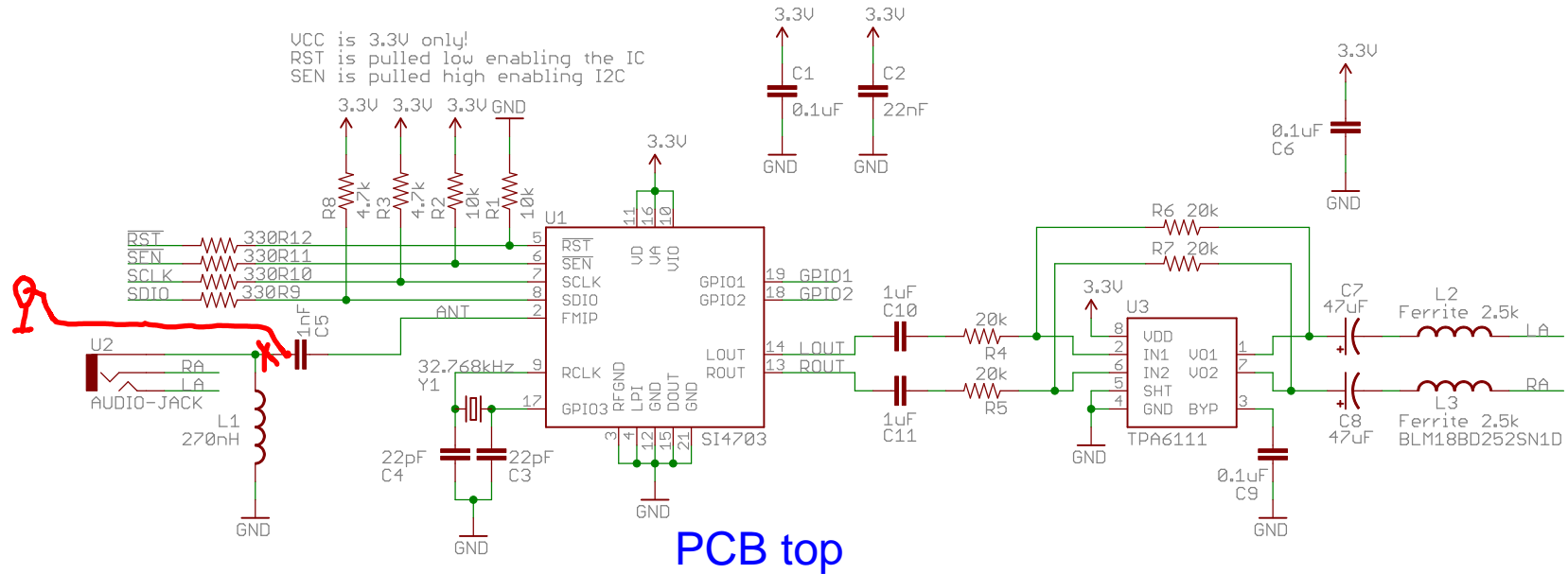


Modifications for external antenna



Blue: cut
Purple: soldering

Dovydas R.
www.electronic.lt

Released under the Creative Commons Attribution License
<http://creativecommons.org/licenses/by-sa/4.0/>
Design by: N. Seidle

| | | | |
|---------------------------|--|------------|------|
| TITLE: Si470x-Eval-v11 | | SFE | SFE |
| Document Number: | | | REV: |
| Date: 3/9/2011 5:10:47 PM | | Sheet: 1/1 | |